

# TECHNICAL DATA SHEET

for use by Architects & Engineers

## Horizontal Sidewall Sprinklers

Model No: LF240 & LF241



### Features

- Glass bulb
- Standard Spray Pattern
- K-factor 5.6
- Quick & Standard Response

### Description

The 1/2 inch orifice LIFECO Standard and Quick Response (ref. ISO 6182) Horizontal Sidewall Sprinklers are automatic sprinklers of the frangible bulb type. They are "Standard and Quick response - standard orifice spray Sprinklers" intended for use in fire Sprinkler systems designed in accordance with the Standard installation rules recognized by the applicable Listing or Approval agency (e.g., UL Listing is based on NFPA 13 requirements). The Horizontal Sidewall Sprinklers are generally used in lieu of pendent and upright sprinklers because of building consideration or installation economy considerations. They are designed for installation along a wall or the side of a beam and just beneath a smooth ceiling. Installed with their centerline of waterway, these sprinklers produce a quarter-spherical water discharge pattern that is predominately directed downward and outward from the deflector; however, a portion of the spray is also directed towards the back wall.

The 1/2 inch orifice LIFECO Standard and Quick Response Horizontal Sidewall Sprinklers are rated for use at a maximum service pressure of 12.3 kg/cm<sup>2</sup> (175psi) and they are available in the temperature ratings of 68°C (155°F, Red) and 93°C (200°F, Green).

Recessed version of the Model LF240 and LF241 Sprinklers are obtained by utilizing the Model LF240 and LF241 Horizontal Sidewall Sprinklers in combination with either the Model LF100 Recessed Escutcheon. The Recessed Escutcheons are available with a nickel chrome plated finish or a color coated finish in any color. The flow rates "Q" in LPM (GPM) are determined by the following formula:  $Q = K P$

Where the nominal discharge coefficient "K" equals 80(5.6); and, "P" equals the residual flowing pressure in kgf/cm<sup>2</sup> (psi). Listing standards permit the actual value of "K" to vary from 76.4 to 83.6 (5.3 to 5.8); however, for hydraulic calculations, a K-factor of 80(5.6) is to be applied.

The Frame is made of brass forging (copper alloy) per KS D5101. The bulb cap (bulb retainer) is copper alloy per KS D5102 (C5191).

The Spring Seat consists of a Beryllium Nickel disc spring that is sealed on both its inside and outside faces with a Teflon gasket.

The Compression Screw is copper alloy per KS D5101 (C3604) and the Deflector is copper alloy per KS D5201 (C2200). The model LF240 Sprinkler represents Standard Response Horizontal Sidewall sprinkler that utilizes a 5 mm diameter frangible bulb made by JOB. The model LF241 Sprinkler represents Quick Response Horizontal Sidewall sprinkler that utilizes a 3 mm diameter frangible bulb made by JOB. The Frame and Deflector of these sprinklers are Nickel Chrome plated. The bulb liquid color is red and green in accordance with the temperature ratings.

### Technical & Environmental Specification

Minimum operating pressure	7 psi (0.5 bar)
Maximum working pressure	175 psi (12 bar)
Discharge coefficient	K=5.6 GPM/psi <sup>1/2</sup> (80.7 LPM/bar <sup>1/2</sup> )
Temperature rating	135 / 155 / 200 F (57 / 68 / 93 °C)
Leakage test at factory	30kgf/cm <sup>2</sup> (0.3Mpa, 29.4bar, 426.7psi)

### Materials

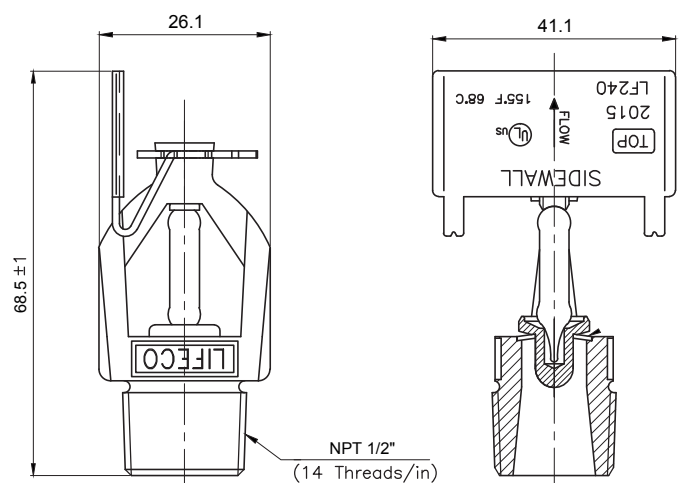
Frame Forging	Brass AS1568 Alloy486
Deflector	Copper C2200
Spring Seat	Ni-Be alloy, coated on both sides with Teflon Tape
Bulb	Glass
Bulb Cap	Phosphor Bronze C5191
Screw	Brass C3604

### Installation

The LIFECO sprinklers are intended for fire protection systems designed in accordance with the standard installation rules of the applicable listings or approval agency. (eg., NFPA 13 or FM's Loss Prevention Data Sheets)

#### Note:

Do not install any bulb type sprinkler if the bulb is cracked or there is a loss of fluid from the bulb. And with the sprinkler held horizontally, a small air bubble should be present. The sprinkler joint should be obtained with maximum torque of 28.5 Nm (21 ft-lbs)



# TECHNICAL DATA SHEET

for use by Architects & Engineers

## Pendent and Upright Sprinklers

Model No: LF211, LF221, LF210 and LF220



### Water Spray Pattern

