



Lifeco

Water Flow Indicator

Model: LF/JZ-A (Saddle Shape)

Model: LF/JZ-Y (Thread Type)

Application

Lifeco's Water flow indicator is placed on the automatic water sprinkler system's pipeline to identify the flow of water in case of fire outbreak. When a flow of water is detected by a clapper or vane, a signal will be transmitted to the control panel.

Technical parameter

Max working pressure : 1.2Mpa

Response rate : 15/min < alarm of flow < 37.5/min

Contact capability : AC 220V 5A

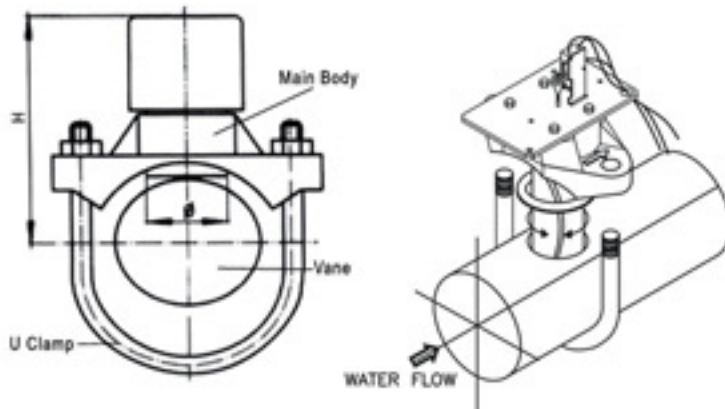
DC 24V 3A

Contact outlet : pair of opener and closer

Retarding time : 20~90S (We also supply the water flow indicator without delay mechanism)

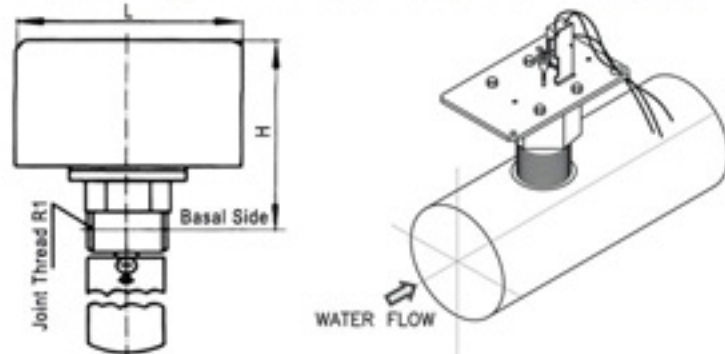


Model: LF/JZ-A Saddle shape water flow indicator



Model	Nominal diameter (mm)	H (mm)	Φ (mm)
LFJZ-A-50	50	148	37
LFJZ-A-65	65	160	37
LFJZ-A-80	80	162	40
LFJZ-A-100	100	177	48
LFJZ-A-125	125	190	48
LFJZ-A-150	150	200	48
LFJZ-A-200	200	245	65

Model: LF/JZ-Y Thread water flow indicator



Model	Nominal diameter (mm)	H (mm)	L (mm)	Joint Thread
LFJZ-Y-25	25	105	72	R1"
LFJZ-Y-32	32	105	72	R1"
LFJZ-Y-40	40	110	72	R1¼"
LFJZ-Y-50	50	110	72	R1¼"