

CONVENTIONAL FIRE ALARM SYSTEMS

CONVENTIONAL FIRE ALARM CONTROL PANEL

LF-CP 1 TO 36



FEATURES:

- 1 to 36 Zone Control Panels
- Control Key Switch
- Easy Push Button Control Switch
- Zone Circuit Monitoring for Open & Short
- Sounder Circuit Monitoring for Open & Short
- Up to 30 Detectors per Zone
- Multiple LED indicators for Quick Identification
- Individual Zone Relays
- Built-In Battery Charger
- Low/No Power and Battery Detection
- Automatic Loading and Testing of Battery
- Battery Lead Reversal Protection
- Evacuate (Alarm Resound)
- LED test
- Auxiliary 24VDC Power
- Fuse Protection for AC Main, Battery & Aux Power
- Circuit Protection for Zone & Sounder Circuits
- Provision for Repeater Panels
- Rigid Enclosure

DESCRIPTION:

The LF-CP Series Fire Alarm Control Panel is manufactured based on advanced technology while maintaining high quality during assembly. It is of solid state circuitry and is designed and tested to meet the requirements of industrial or commercial applications.

Up to 30 devices, combination of smoke, heat and manual call points, can be connected to a single zone. Any alarm coming from a zone would activate the sounder circuits, common alarm relay, zone relay and the panel audible circuit. Once the panel has been silenced and a subsequent alarm occurs in another zone, the internal speaker and sounder circuits would then re-activate with its associated zone relay.

The system incorporates 2 built-in sounder circuits, a common alarm relay, configurable zone relays,

and a 24 VDC auxiliary output. All of which ensures the system can be easily configured to meet the requirements of the end user.

It also has the provision to connect repeater panels. The repeaters are integrated into system utilizing a serial data line and a 24VDC power source. Up to 8 repeaters can be connected to a single system.

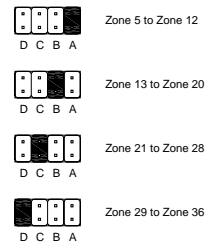
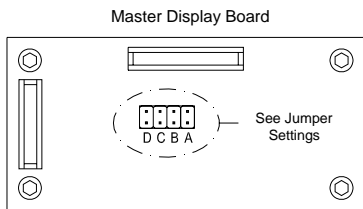
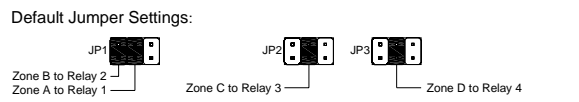
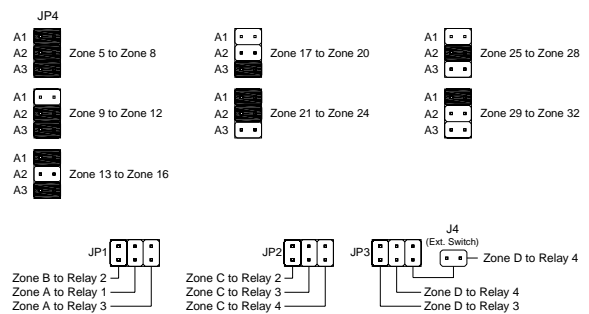
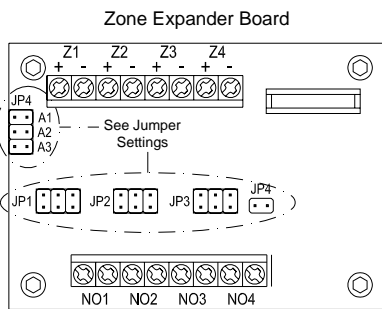
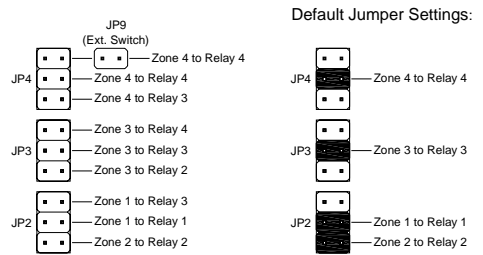
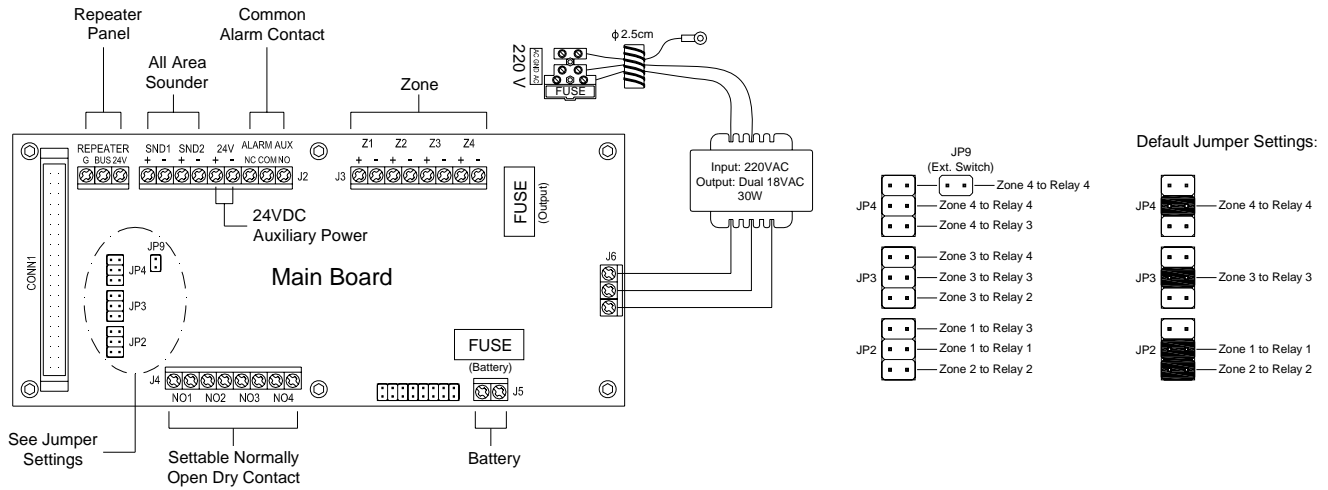
For security purposes, the Control Panel is fitted with a control key switch which locks all the pushbutton functions so only authorized personnel would be allowed to operate the system. The provided push-button keys allows the operator to Silence the local panel and alarm indicators during a fire or trouble condition, to Evacuate by operating all sounders and to perform a local lamp test and Reset the control unit.

CONVENTIONAL FIRE ALARM SYSTEMS

CONVENTIONAL FIRE ALARM CONTROL PANEL

LF-CP 1 TO 36

WIRING AND TERMINAL DETAILS:

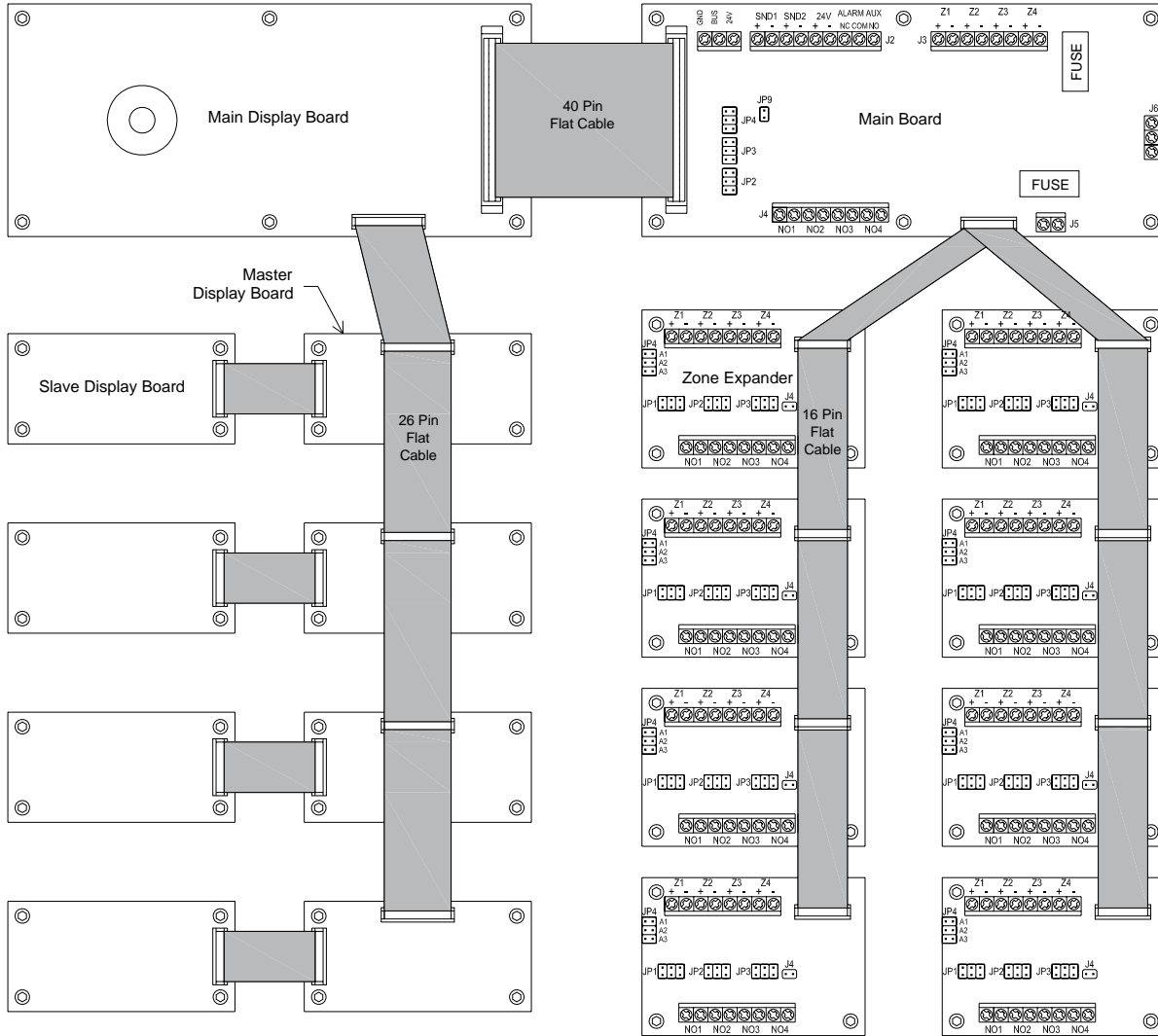


CONVENTIONAL FIRE ALARM SYSTEMS

CONVENTIONAL FIRE ALARM CONTROL PANEL

LF-CP 1 TO 36

FLAT RIBBON CABLE CONNECTION:



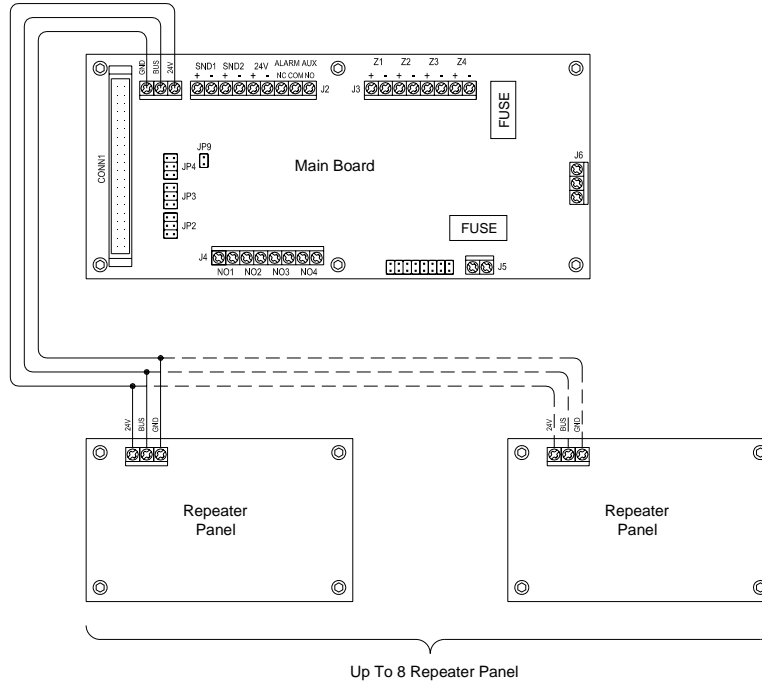
CONVENTIONAL FIRE ALARM SYSTEMS

CONVENTIONAL FIRE ALARM CONTROL PANEL

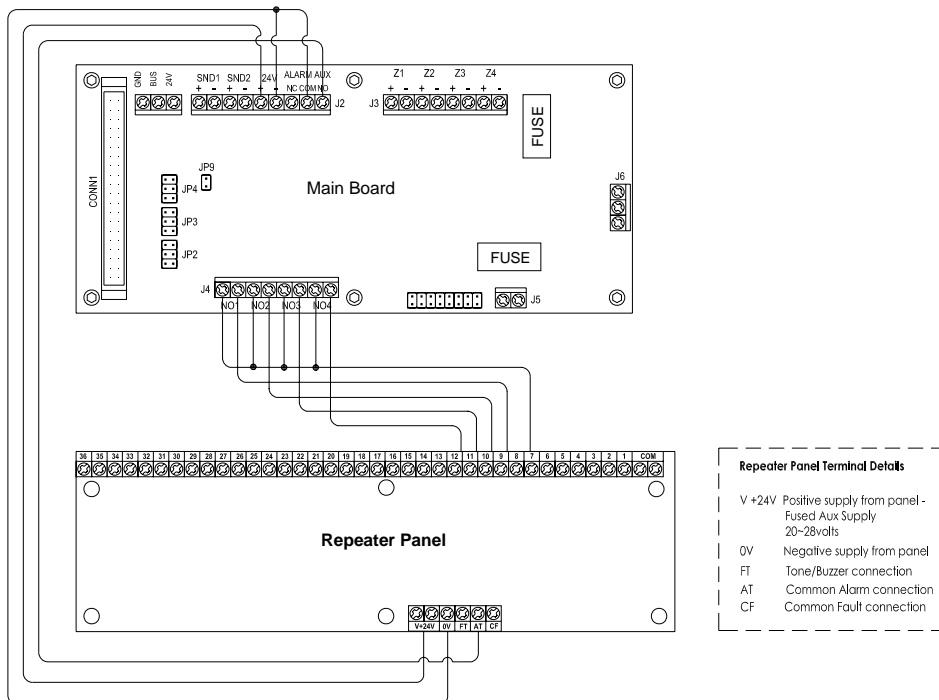
LF-CP 1 TO 36

REPEATER PANEL TERMINATION:

MODEL LF-RP 1-16 / LF-RP 20-36 ZONE



MODEL LF-RP 1-32 ZONE



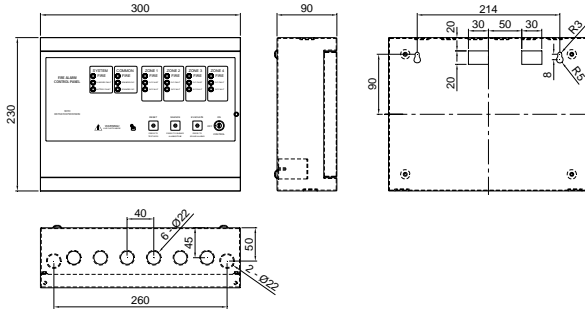
CONVENTIONAL FIRE ALARM SYSTEMS

CONVENTIONAL FIRE ALARM CONTROL PANEL

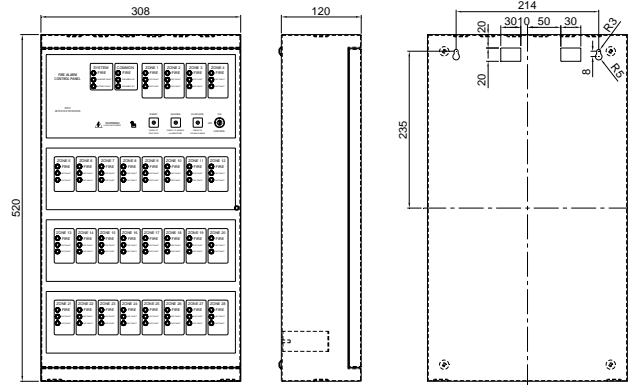
LF-CP 1 TO 36

DIMENSIONAL DETAILS:

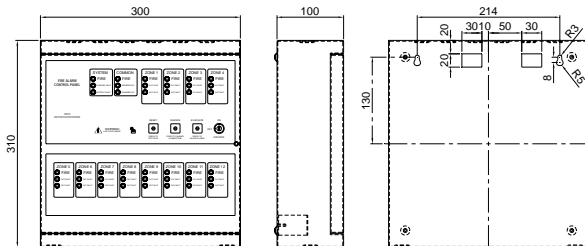
1, 2, & 4 ZONE



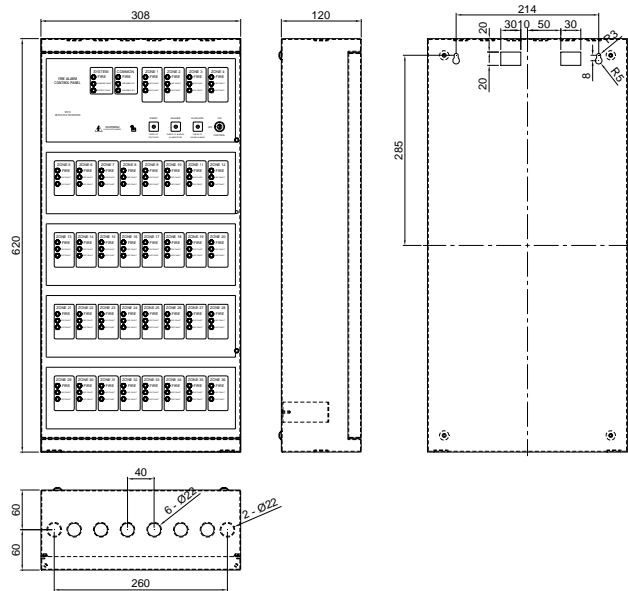
24 & 28 ZONE



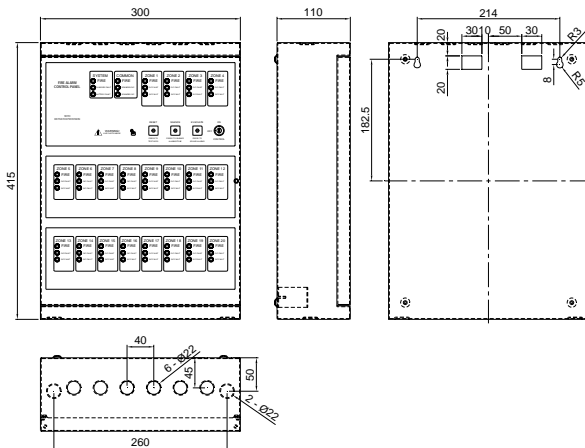
6, 8 & 12 ZONE



32 & 36 ZONE



16 & 20 ZONE



CONVENTIONAL FIRE ALARM SYSTEMS

CONVENTIONAL FIRE ALARM CONTROL PANEL

LF-CP 1 TO 36

TECHNICAL SPECIFICATION:

FUSE RATING		
Zone 1, 2, & 4 Control Panel	Mains Fuse	0.5A (5x20mm)
	Battery Fuse	3.0A (5x20mm)
	Output Fuse	3.0A (5x20mm)
Zone 6, 8 & 12 Control Panel	Mains Fuse	0.75A (5x20mm)
	Battery Fuse	4.0A (5x20mm)
	Output Fuse	4.0A (5x20mm)
Zone 16 & 20 Control Panel	Mains Fuse	0.75A (5x20mm)
	Battery Fuse	7.0A (5x20mm)
	Output Fuse	7.0A (5x20mm)
Zone 24 & 28 Control Panel	Mains Fuse	1.0A (5x20mm)
	Battery Fuse	10.0A (5x20mm)
	Output Fuse	10.0A (5x20mm)
Zone 32 & 36 Control Panel	Mains Fuse	1.0A (5x20mm)
	Battery Fuse	10.0A (5x20mm)
	Output Fuse	10.0A (5x20mm)

ORDERING INFORMATION

Model No.	Description	Dimension (mm)
LF-CP/1	1 Zone Fire Alarm Control Panel	230 x 300 x 90
LF-CP/2	2 Zone Fire Alarm Control Panel	230 x 300 x 90
LF-CP/4	4 Zone Fire Alarm Control Panel	230 x 300 x 90
LF-CP/6	6 Zone Fire Alarm Control Panel	310 x 300 x 100
LF-CP/8	8 Zone Fire Alarm Control Panel	310 x 300 x 100
LF-CP/12	12 Zone Fire Alarm Control Panel	310 x 300 x 100
LF-CP/16	16 Zone Fire Alarm Control Panel	415 x 300 x 100
LF-CP/20	20 Zone Fire Alarm Control Panel	415 x 300 x 100
LF-CP/24	24 Zone Fire Alarm Control Panel	520 x 308 x 120
LF-CP/28	28 Zone Fire Alarm Control Panel	520 x 308 x 120
LF-CP/32	32 Zone Fire Alarm Control Panel	620 x 308 x 120
LF-RP/1-16 Zone	1 to 16 Zone Repeater Panel	120 x 160 x 32.5
LF-RP/20-32 Zone	20 to 36 Zone Repeater Panel	180 x 160 x 32.5
LF-RP 1-32 Zone	1 to 32 Zone Repeater Panel	190 x 230 x 60



CONVENTIONAL FIRE ALARM SYSTEMS

CONVENTIONAL FIRE ALARM CONTROL PANEL

LF-CP 1 TO 36

TECHNICAL SPECIFICATION:

Power Requirement	220V AC 50/60Hz + 10%
Sounder Circuit	
Output Voltage	24V DC
Alarm Current	1,2,4, 6, 8 Zone 700mA
	12, 16 Zone 1.0A
	20, 24 Zone 1.5A
	28, 32, 36 Zone 2.0A
EOL	5.6K
Zone Circuit	
Voltage	24V DC
Supervisory Current	4mA
EOL	5.6K
Loop & Sounder Circuit Protection	
Auxiliary Relays	
Contact Rating	125V DC, 12A
	250V AC, 7A
	28V DC, 1A
Auxiliary Power	24V DC, 1A