

CONVENTIONAL FIRE ALARM SYSTEMS

OPTICAL SMOKE DETECTOR

LF-PE-4111



KM 582696



FEATURES:

- Microprocessor Based Design
- High Accuracy of Fire Detection
- Quick Fire Alarm Transfer Speed
- Special Chamber Design
- Polarized Wiring
- Provision for Remote LED Indicator
- Ease of Maintenance
- Multiple Sensitivity Settings
- Up to 30 devices per zone
- 2 LED's for 360deg. Viewing Angle

DESCRIPTION:

The LF-PE-4111 Conventional Type Photoelectric Smoke Detector uses a specialized smoke chamber design, which could sense the presence of smoke particles produced by fast combustion or slow smoldering fire. Combining fire algorithms stored on its memory with the special three part design of the smoke chamber and given the photo-sensor's viewing angle, the detector can effectively sense both white smoke and black smoke with virtually no false alarms. A maximum of thirty smoke detectors can be installed on a single zone.

Accurate analysis of fire is achieved using it's built in microprocessor and fire data stored in its non-volatile memory. With the detectors automatic environmental compensation settings, it would adjust itself

according to its environment or application thus improving the veracity of fire judgment.

Three levels of sensitivity is also provided with the detector using jumper selections. Depending on the application, the sensitivity is set by removing the PCB mounting plate and shorting the terminals to achieve the desired setting.

The LF-PE-4111 Conventional Type Photoelectric Smoke Detector also has the provision of connecting a remote LED indicator.

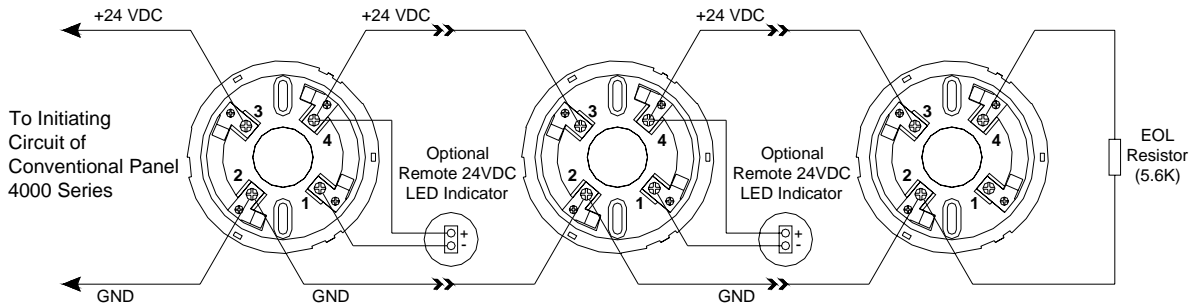
The detector's design widely applies to all kinds of industrial and commercial constructions with its high resistance to humidity, wide operating temperature range, high reliability and ease of installation and configuration.

CONVENTIONAL FIRE ALARM SYSTEMS

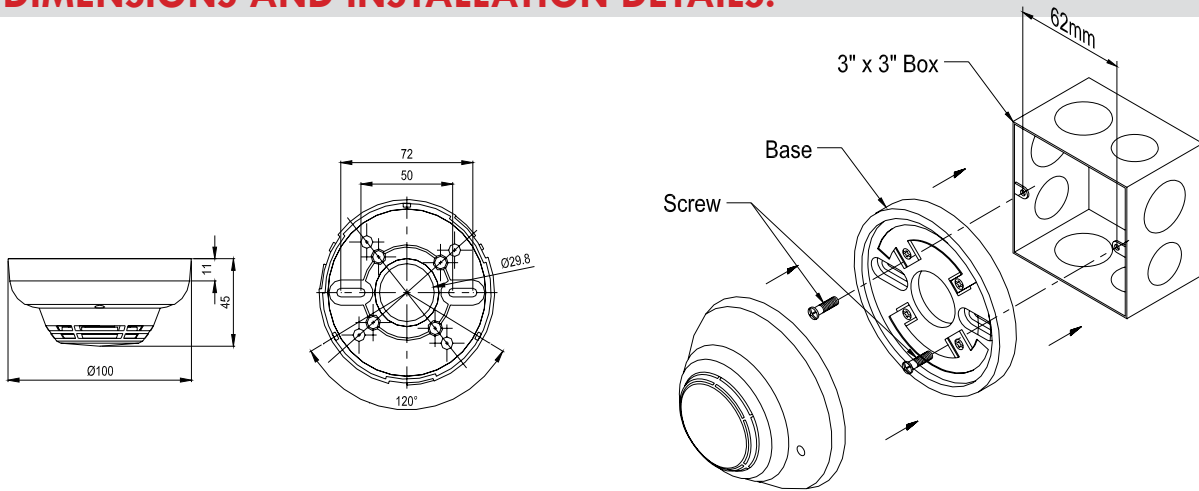
OPTICAL SMOKE DETECTOR

LF-PE-4111

WIRING DIAGRAM:

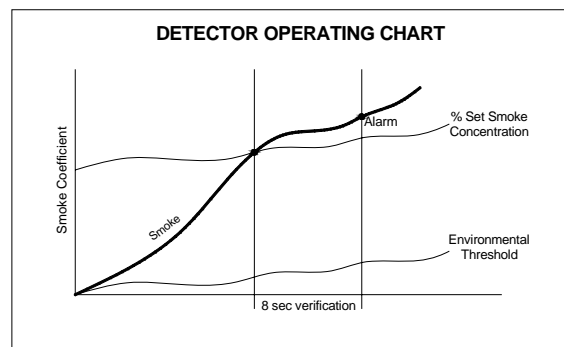
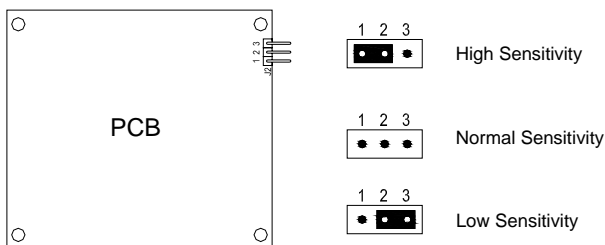


DIMENSIONS AND INSTALLATION DETAILS:



Note: All dimensions are in millimeters

SENSITIVITY ADJUSTMENT:





CONVENTIONAL FIRE ALARM SYSTEMS

OPTICAL SMOKE DETECTOR

LF-PE-4111

TECHNICAL SPECIFICATION:

Maximum Detector Area of Coverage	Area \leq 80 m ²	Height \leq 12 m
	Area $>$ 80 m ²	6m $<$ Height \leq 12 m Height \leq 6 m
Air Velocity Range	0—4000 ft/min	
Maximum Allowable Spacing	9m	
Approx Weight	116g (with base)	
Temperature Rating	-10 °C ~ 55 °C	
Operating voltage	16~32 VDC	
Standby Current	30 μ A	
Alarm Current	40mA	
Peak Current	4mA	
Relative Humidity	0-95% non-condensing	
Led Indication (Red)	Pulsing	Standby
	Steady	Alarm
Material	ABS Plastic	
Color	Off-White	