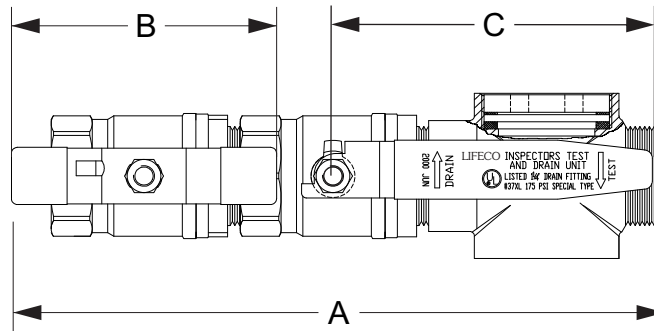


Inspector's Test & Drain Valve

Model No. LF-TD/25-UL (Size 1")

Model No. LF-TD/32-UL (Size 1-1/4")



The test and drain valve is a combined two position lever operated ball valve, sight glass and stop valve. Test & Drain with an integral sight glass assembly, provides a simplified means for testing of water flow alarm devices and draining of feed mains.

Maximum Working Pressure:

12bar (175 psi)

Material Specs:

Cast Brass



Size:

1 in. (25mm) and 1 1/4 in. (32mm)

Dimensions:

SIZE	in.	1	1 1/4
A	mm	261.5	275
B	mm	110	110
C	mm	130	130
WEIGHT	kg	1.87	2.38

Ordering:

Orders must include the description and Model #. Contact your local distributor for availability.



LICHFIELD
FIRE & SAFETY
EQUIPMENT
CO. LTD.

HEADQUARTERS:

Unit 8, Caliber Industrial Park, Laches Close, Four Ashes,
Wolverhampton, WV10 7DZ, United Kingdom
TEL: +44 (0) 1902 798 706
FAX: +44 (0) 1902 798 679
MAIL: sales@lifeco-uk.com

MIDDLE EAST Office:

P.O. Box 18605,
Jebel Ali Free Zone,
Dubai, U.A.E.
TEL: +971 4 880 98 90
FAX: +971 4 880 98 22

WWW.
lifeco-uk
.com