

## CONVENTIONAL FIRE ALARM SYSTEMS

### CALL POINT SERIES

LF/B 10



#### FEATURES:

- Arabic and English Label
- Quick Fire Alarm Transfer
- Easy Operation – Push to Activate
- No Polarity
- Ergonomic Construction
- Durable Design
- High Performance at Low Cost
- Easy to install
- Semi flush or Surface Mount
- With protective cover
- Suitable for indoor use



cover

#### DESCRIPTION:

The LF/B 10 Call Point Series satisfies the requirements for a manual fire alarm initiating device. With its sleek and durable design, it is easily observed yet does not hinder with building design and can be fitted along corridors, hallways and exits for easy access to operate in cases where there is a requirement for activating an alarm signal.

The switch inside is kept pressed by the edge of the plastic film. When the plastic film is pushed, the switch is released and causes an alarm signal to be sent to the fire alarm control panel through the panel initiating circuit.

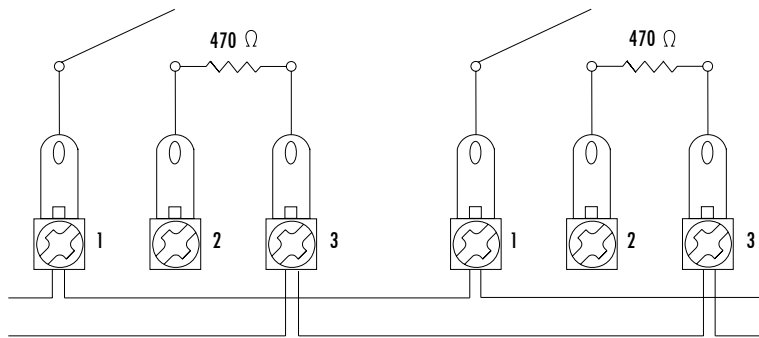
The MCP's design widely applies to all kinds of industrial and commercial constructions with its high resistance to humidity, wide operating temperature range, high reliability and ease of installation.

## CONVENTIONAL FIRE ALARM SYSTEMS

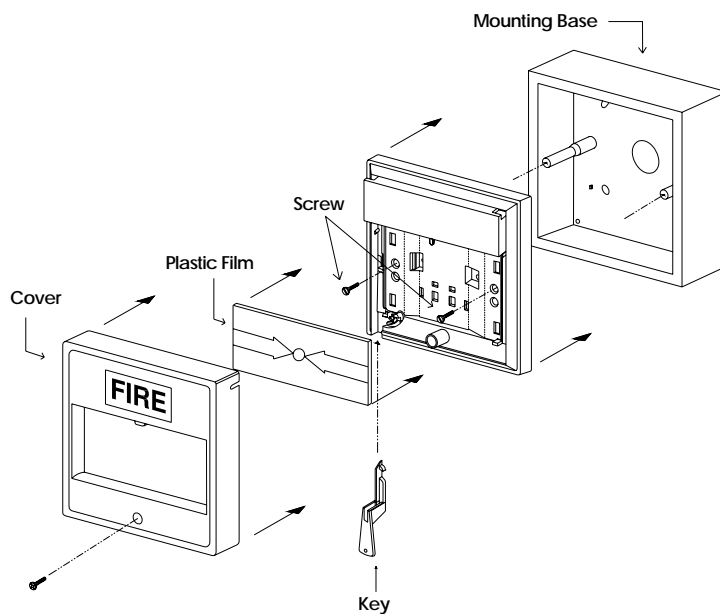
### CALL POINT SERIES

LF/B 10

#### WIRING DIAGRAM:



#### INSTALLATION DETAILS:



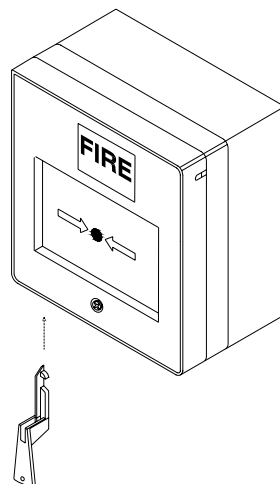
## CONVENTIONAL FIRE ALARM SYSTEMS

### CALL POINT SERIES

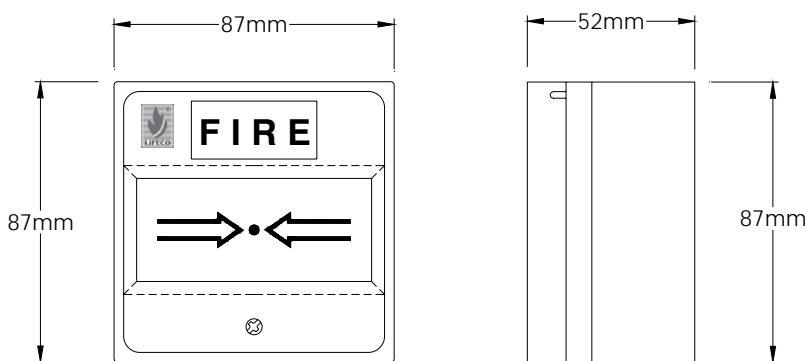
#### LF/B 10

#### TESTING:

When the key is inserted, the plastic film drops and tests the switch. Do not leave the key with the Call Point after commissioning.



#### DIMENSIONAL DETAILS:



#### TECHNICAL SPECIFICATION:

Terminals	Screw type to suit 0.28mm <sup>2</sup> to 2.5mm <sup>2</sup> Cables
Contact Rating	Resistive 1A @ 50 VAC/VDC
Maximum Contact Resistance	0.15 Ω
Minimum Contact Voltage	12V AC/DC
Operating Temperature	-40°C ~+85°C
Material	ABS Plastic
Dimensions	87 x 87 x 52 mm
Color	Red