

## CONVENTIONAL FIRE ALARM SYSTEMS

### SIREN, SIREN WITH STROBE

#### LF-SI AND LF-SS



Siren LF-SI

Siren with Strobe LF-SS

#### FEATURES:

- Quick Response Time
- $100 \pm 3 \text{ dB/m}$  (@24v DC)
- Piezoelectric Horn
- High Performance at Low Cost
- Integrated Electronics
- High Intensity Strobe for LF-SS model
- With Reverse Polarity Protection
- Ease of Maintenance
- Easy to Install
- 2-wire Operation
- Ceiling or Sidewall Mount

#### DESCRIPTION:

The LF-SI/SS Audible Strobes and Sirens are designed for maximum performance, reliability and cost-effectiveness. It adopts a built-in integrated circuit, a piezoelectric sounder and strobe which when combined, produces high energy conversion efficiency for effective output of light and sound while utilizing a minimum amount of power.

Together with the modern style of the strobe unit and the contour of the device, makes it appealing with any building wall design.

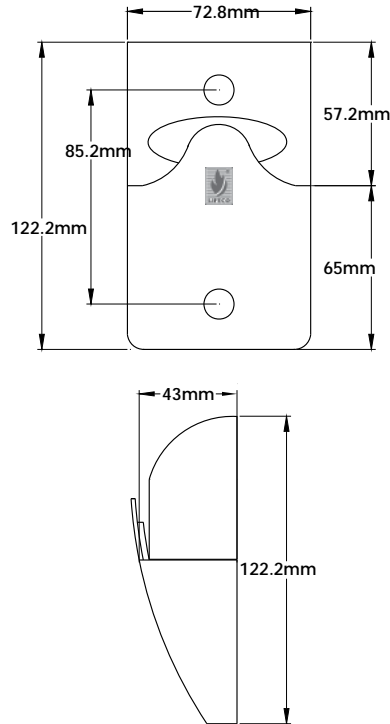
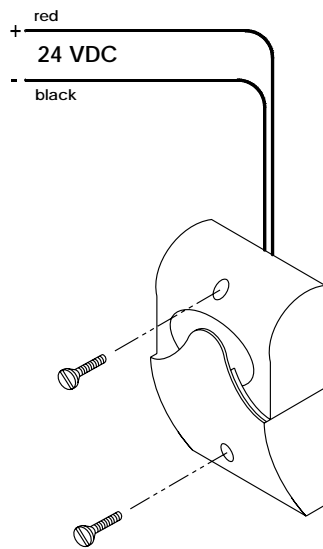
The indicator's design widely applies to all kinds of industrial and commercial constructions with its high resistance to humidity, wide operating temperature range, high reliability and ease of installation and configuration.

## CONVENTIONAL FIRE ALARM SYSTEMS

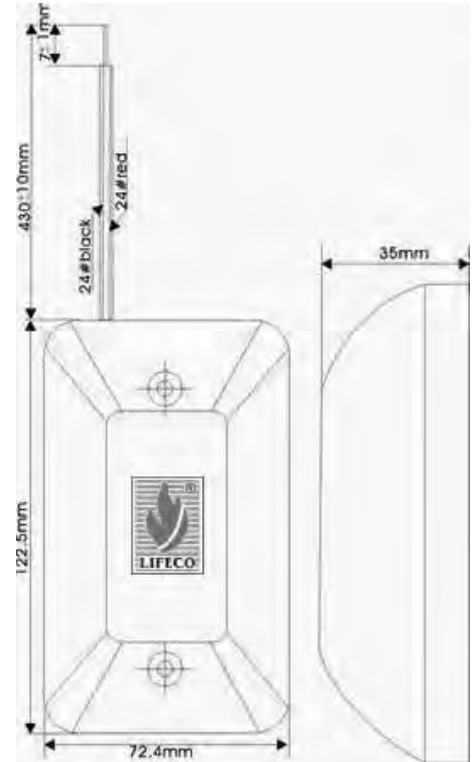
### SIREN, SIREN WITH STROBE

#### LF-SI AND LF-SS

#### DIMENSIONAL DETAILS:



Siren LF-SI



Siren with Strobe LF-SS

#### TECHNICAL SPECIFICATION:

Input Voltage	24VDC
Sound Output	100 ±3dB/m
Operating Temperature	-10°C ~ + 60°C
Material	ABS/polycarbonate

	LF-SI Siren	LF-SS Siren w/ Strobe
Operating Current	170 ~ 180 mA	100 ~ 290 mA
Rated Current	280 mA	300 mA
Flash Frequency	---	150 times/min
Color	Red	Red / White