

**CONVENTIONAL FIRE ALARM SYSTEMS****CONVENTIONAL AUDIBLE & VISUAL ALARM INDICATOR****LF-AV-4125****FEATURES:**

- Quick Response Time
- Piezoelectric Horn
- High Intensity Strobe
- Integrated Electronics
- High Performance at Low Cost
- 3 User Selectable Tones via jumpers
- Wall Mount Type
- Two Wire Operation

**DESCRIPTION:**

The LF-AV-4125 Conventional Audible and Visual Alarm Indicator adopts a built-in integrated circuit, a piezoelectric sounder and a high intensity strobe which when combined, produces a high energy conversion efficiency for effective output of light and sound while utilizing a minimum amount of power.

The LF-AV-4125 can be mounted by opening the front cover and installing the body of the device to a standard 3 inch square box. The mounting holes are hidden when the cover is replaced. Together with the modern style of the strobe unit and the contour of the device,

makes it appealing with any building wall design.

Selector jumpers are also provided at the back of the unit for a variety of tone outputs. Depending on the requirement of the authority having jurisdiction, the device can be set to have an audible output of Hi-Lo, Wail or Siren.

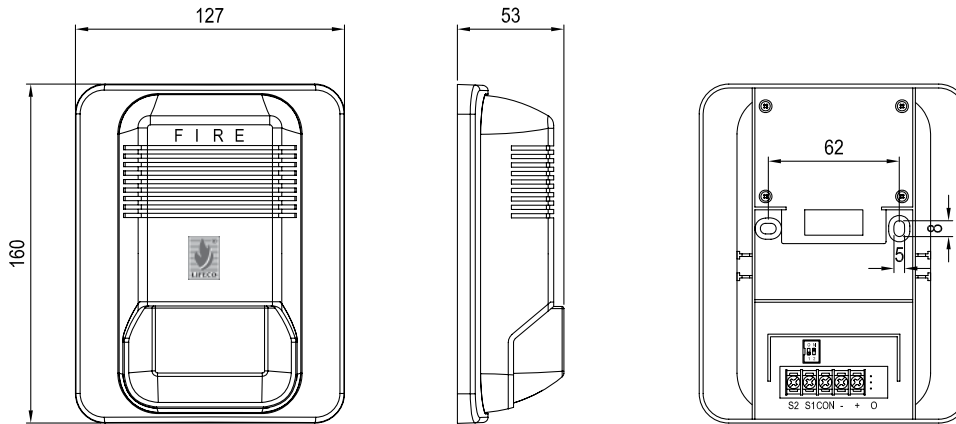
The indicator's design widely applies to all kinds of industrial and commercial constructions with its high resistance to humidity, wide operating temperature range, high reliability and ease of installation and configuration.

## CONVENTIONAL FIRE ALARM SYSTEMS

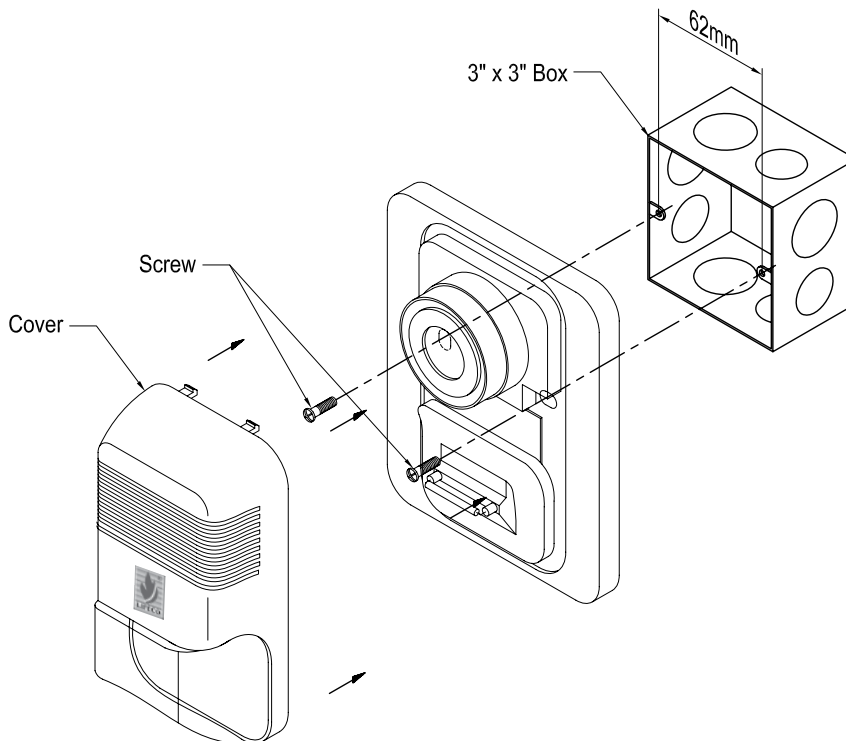
### CONVENTIONAL AUDIBLE & VISUAL ALARM INDICATOR

LF-AV-4125

#### PHYSICAL DIMENSIONS



#### INSTALLATION:



Note: All dimensions are in millimeters

## CONVENTIONAL FIRE ALARM SYSTEMS

### CONVENTIONAL AUDIBLE & VISUAL ALARM INDICATOR

**LF-AV-4125**

#### TECHNICAL SPECIFICATION:

Operating Temperature	-10°C ~ 55°C
Relative Humidity	95% non-condensing
Wiring System	Polarized
Flash Intensity	1.2 Watts
Flash Cycle Every	1.5 seconds
Sound Output	105 dB
Device Operating Voltage	22 ~ 26 VDC
Auxiliary Power Consumption	120 mA
Weight	260g
Dimensions (mm)	160 x 127 x 53mm

#### WIRING AND TERMINAL DETAILS:

- Observe proper polarity when connecting to the sounder circuit
- User Selectable Tones:

