

CONVENTIONAL FIRE ALARM SYSTEMS

FIRE ALARM BELL

LFB6/8



FEATURES:

- UL Approved
- Quick and Easy Installation
- Vibrating Type
- High Sound Level
- High Reliability
- Low Power Consumption
- Available in 6", 8" Housing
- Mounts to Standard 4" Square Electrical Box
- Cast Alloy Housing
- Indoor or Outdoor* Use

DESCRIPTION:

LFB series bells are intended for fire alarm application only. The gong is of cast alloy metal suitable to produce loud and standard alarm bell sound. Two gong sizes are available to suit high or low noise level applications.

It produces a characteristic sound with a 96dBA @ 10ft. for 6" bell and 98dBA @ 10ft. for 8" bell sound level. The external casing is painted red. It can be connected to

all fire detection control panels and requires a voltage of 24VDC in order to operate.

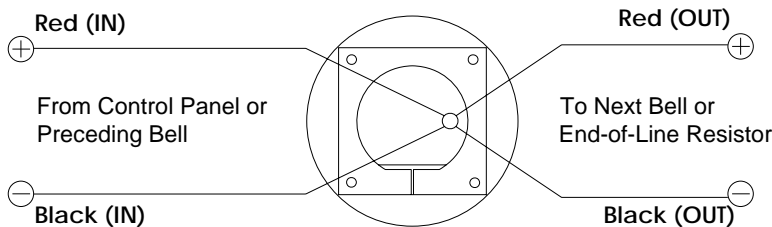
This design of exceptional structure is sturdy and durable. It is also weather proof that can be used as an indoor or outdoor fire alarm bell. When used outdoors, weather proof back box is also required. Each bell is supplied with a mounting plate to fix it on a standard utility box or to install directly on the wall.

CONVENTIONAL FIRE ALARM SYSTEMS

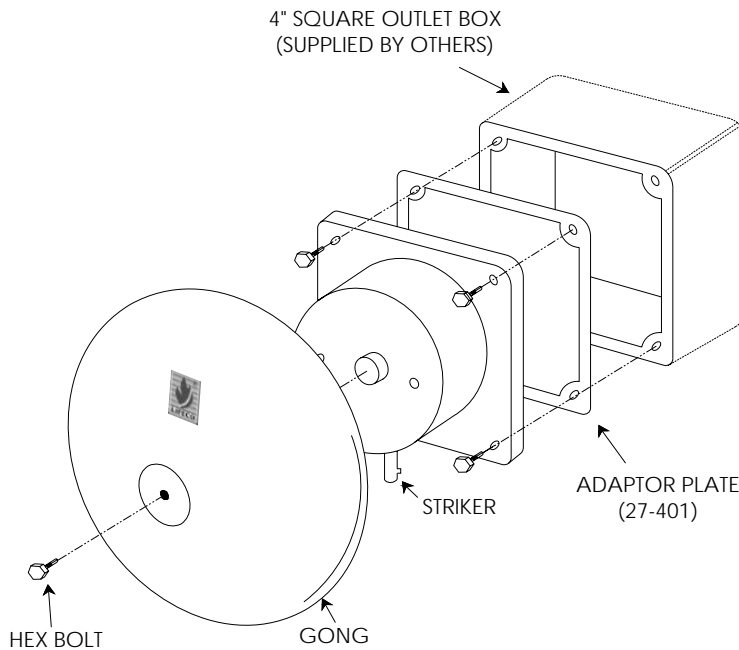
FIRE ALARM BELL

LFB6/8

WIRING DIAGRAM:



INSTALLATION DETAILS:



ORDERING INFORMATION:

MODEL	SIZE	VOLTAGE DC	CURRENT	dBA @ 10 Ft.	APPLICATION
LFB 6	6"	24 V DC	100mA	96	Indoor
LFB 8	8"	24 V DC	100mA	98	Indoor
LFB 6W	6"	24 V DC	100mA	96	Outdoor*
LFB 8W	8"	24 V DC	100mA	98	Outdoor*

*Weather Proof Back Box available on request.