

## CONVENTIONAL FIRE ALARM SYSTEMS

### FIRE ALARM & GAS EXTINGUISHING CONTROL PANEL

LF/EX



#### FEATURES:

- Rigid Steel Powder Coated Cabinet
- Built-in Battery and Internal Charger
- System Status Indication
- Indicators for Charge Fault & Battery Fault
- Monitored Alarm Circuits for Both Open and Short Circuit
- Manual Operating Switch on Front Fascia
- 2 Monitored Detection on Zones
- Monitored Gas Release
- Knockouts on top and bottom sides for Easy Installation
- Relay Contacts
- Control Key Switch
- Release Timer
- Silence/ tone and/or First Tone Alarm
- Automatic or Manual Operation
- Reset/LED Test Button

#### DESCRIPTION:

The LF/EX Fire Alarm and Gas extinguishing Control Panel is manufactured based on advanced technology while maintaining high quality during assembly. It is of solid state circuitry and is designed and tested to meet the requirements of industrial or commercial applications.

It provides operator interactive control of the fire alarm and gas extinguishing system. Push buttons are provided on the front fascia for manual/automatic modes of extinguisher operation, first stage alarm, silence and reset.

The LF/EX is interfaced with two detection zones of a conventional fire alarm panel

which are utilized to provide double knock (coincidence) detection throughout the gas protected area.

A callpoint situated on the front of the unit can be operated to manually release the extinguishant. It has multi-colored LED indicators for easy reference of fault isolation.

For security purposes, the Control Panel is fitted with a control key switch which locks all the

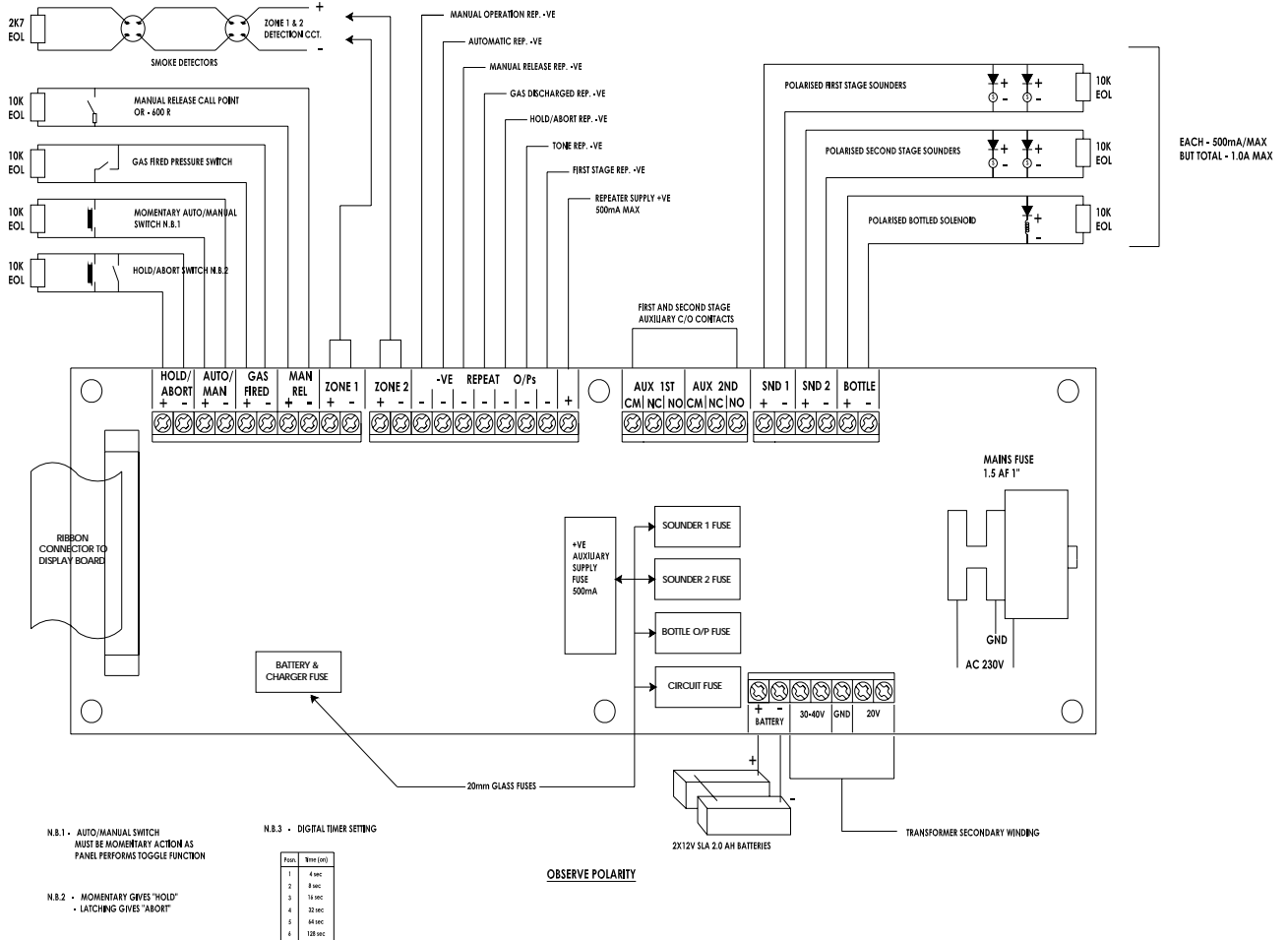
push-button functions so only authorized personnel would be allowed to operate the system.

## CONVENTIONAL FIRE ALARM SYSTEMS

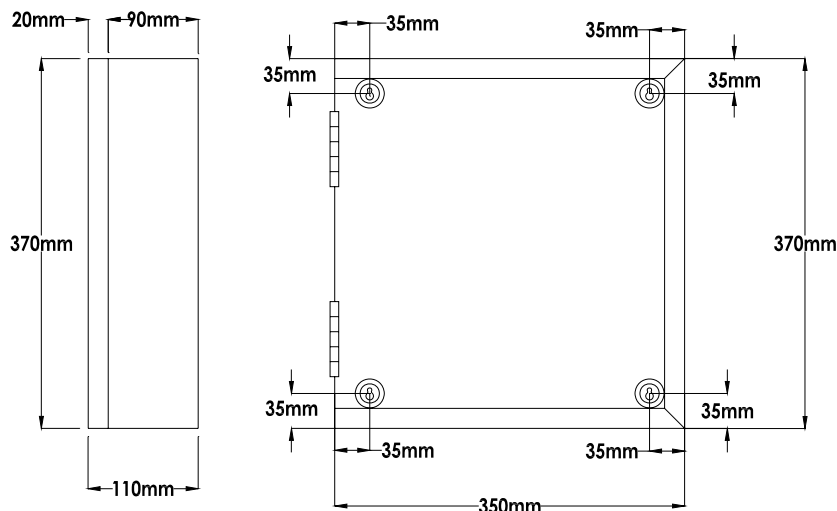
### FIRE ALARM & GAS EXTINGUISHING CONTROL PANEL

LF/EX

#### CONTROL PANEL CONNECTION DIAGRAM:



#### DIMENSIONS OF BOX AND INSTALLATION HOLES:



## CONVENTIONAL FIRE ALARM SYSTEMS

### FIRE ALARM & GAS EXTINGUISHING CONTROL PANEL

LF/EX

#### TECHNICAL SPECIFICATION:

Mains Voltage	230VAC @ 50/60 Hz +15%, -10%
Charger Voltage	25~30VDC (Set Internally to 27.6V)
Battery Voltage	24 V SLA (2x12V)
Battery Space	7.0 AH Maximum
Mains Supply Protection	1.5 AF 20x5mm Glass Fuse
Battery and Charger Voltage Protection	1.5 AF 20x5mm Glass Fuse
Reverse Battery Protection	Battery Fuse
Sounder Output (1st and 2nd Stage)	24 VDC Nominal
Sounder Output Protection	500mAF 20x5mm Glass Fuse
Auxiliary Supply Output	24 VDC Nominal
Auxiliary Supply Protection	500mAF 20x5mm Glass Fuse
Auxiliary Relay Contacts (1st and 2nd Stage)	30V AC/DC 1.0 A Each
Bottle Output	24 VDC Nominal
Bottle Output Protection	500mAF 20x5mm Glass Fuse
Zone Voltage	24 VDC
Quiescent Zone Current	8mA per Circuit
Max Zone Circuit Resistance	50 Ω
Max Sounder Circuit Resistance	25 Ω
Max Resistance - Other Circuits	50 Ω
Quiescent Battery Current (Tone Muted)	100mA Nominal
Quiescent Battery Current (Tone Not Muted)	125mA Nominal
Max Total Load Current (Snd, Bottle and Aux+VE)	1.5A (Although each may be fuse to rating)
Circuits Monitored for O/C and S/C	Bottle Output, 1st and 2nd Stage and Outputs, Zones 1 and 2
Circuits Monitored for O/C only	Hold/Abort, Auto/Manual, Gas Fired, and Manual Release. (S/C gives active condition although a resistance of up to 500 Ω will still give an active condition.
Maximum Loading	2mA per Zone
No. of Gas Area	One
Release Time for Extinguishant	4 sec. to 5 min. (Pre-settable).