

**CONVENTIONAL FIRE ALARM SYSTEMS****LED REMOTE INDICATOR****LFR-100****FEATURES:**

- Easy Installation
- Wide Viewing Angle
- Low Profile Design
- Low Power Consumption
- High Precision and Stability
- Quick Fire Alarm Transfer Speed
- High Accuracy of Fire Detection
- 2 LED Indicators

**DESCRIPTION:**

The LFR-100 LED Remote Indicator is an attractive device used in installations where a detector going to alarm is likely to occur behind a locked door, inaccessible rooms, or in a ceiling void to provide indication of the activation of a fire detector.

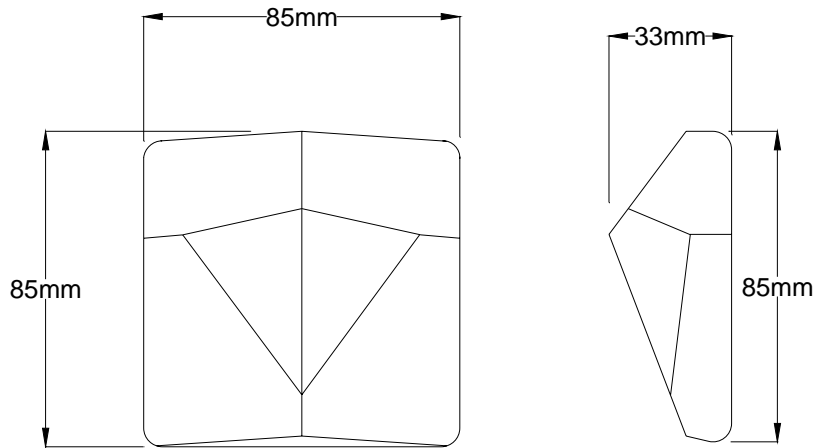
The indicator's design widely applies to all kinds of industrial and commercial constructions requiring a local visual indicator such as process control, security and shut down operations, with its high reliability and ease of installation.

## CONVENTIONAL FIRE ALARM SYSTEMS

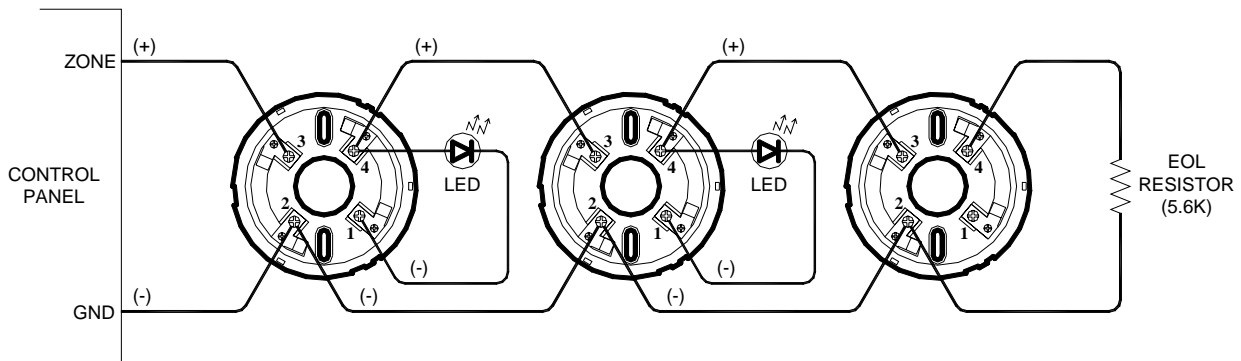
### LED REMOTE INDICATOR

LFR-100

#### DIMENSIONAL DETAILS:



#### WIRING:



#### TECHNICAL SPECIFICATION:

Operating Voltage	24 VDC (5~28V)
	3.3 VDC (2~5V)
Operating Current	0.6~20mA
Alarm	Red LED Flash
Dimension	85 x 85 x 33mm
Weight	50 g
Color	White
Material	PC Polycarbonate