

EAGLE SERIES - FIRE ALARM SYSTEMS

DUCT DETECTOR REMOTE ACCESSORIES

LE-DH-98

SPECIFICATION

Power Requirements

Alarm LED	15 mA
Pilot LED	15 mA
Horn	20 mA @ 24 VDC

Sound Pressure Horn 78 db @ 10 feet

Dimensions

Single Gang	2.75" (69.85mm) W 4.5" (114.3mm) H
Double Gang	4.5" (114.3mm) W 4.5" (114.3mm) H

FEATURES

APPLICATION

The LE-DH-98 Duct Detector Remote Accessories are designed to be used with the LE-DH-98 Conventional and LE-DH-98 Analog Duct Detectors to provide audible and visual indication as well as remote test/reset functions.

These devices are constructed of brushed stainless steel and mount on a standard single or double gang backbox.



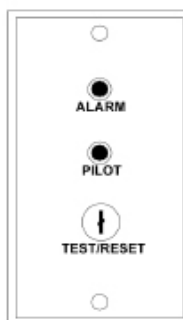
MS-RA

Functions:

Remote Alarm LED (red)

For Use with:

LE-DH-98-I, LE-DH-98-P
LE-DH-98-HVI,
LE-DH-98-HVP
LE-DH-98-A,
LE-DH-98-AR



MS-KA/P/R

Functions:

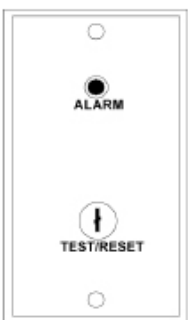
Remote Alarm LED (red)

Pilot LED (green)

Key-Operated Test/Reset Switch

For Use with:

LE-DH-98-I, LE-DH-98-P
LE-DH-98-HVI, LE-DH-98-HVP



MS-KA/R

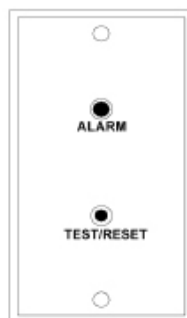
Functions:

Remote Alarm LED (red)

Key-Operated Test/Reset Switch

For Use with:

LE-DH-98-I, LE-DH-98-P
LE-DH-98-HVI,
LE-DH-98-HVP
LE-DH-98-AR



MS-RA/R

Functions:

Remote Alarm LED (red)

Push-button Test/Reset Switch

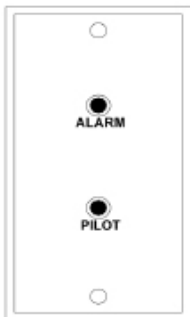
For Use with:

LE-DH-98-I, LE-DH-98-P
LE-DH-98-HVI,
LE-DH-98-HVP
LE-DH-98-AR

EAGLE SERIES - FIRE ALARM SYSTEMS

DUCT DETECTOR REMOTE ACCESSORIES

LE-DH-98



MS-RA/P

Functions:

Remote Alarm LED (red)

Pilot LED (green)

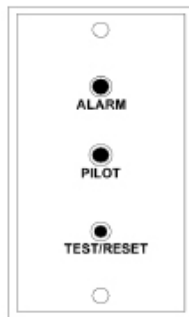
For Use with:

LE- DH-98-I,

LE- DH-98-P

PILOT LE- DH-98-HVI,

LE- DH-98-HVP



MS-RA/P/R

Functions:

Remote Alarm LED (red)

Pilot LED (green)

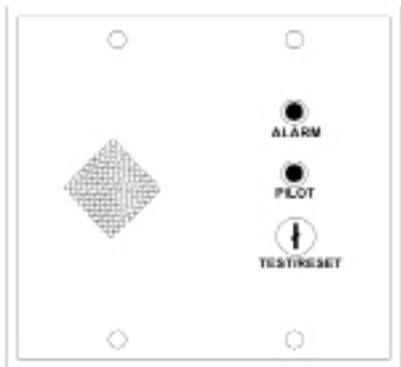
Push-button Test/Reset Switch

For Use with:

LE- DH-98-I, LE- DH-98-P

LE- DH-98-HVI,

LE- DH-98-HVP



MS-RH/KA/P/R

Functions:

Remote Alarm Horn

Remote Alarm LED (red)

Pilot LED (green)

Key-Operated Test/Reset Switch

For Use with:

LE-DH-98-I, LE-DH-98-P

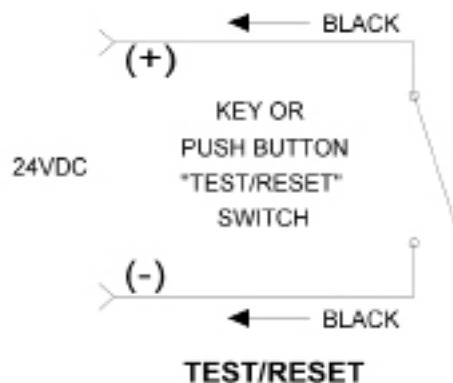
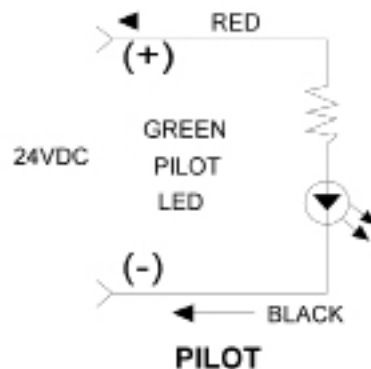
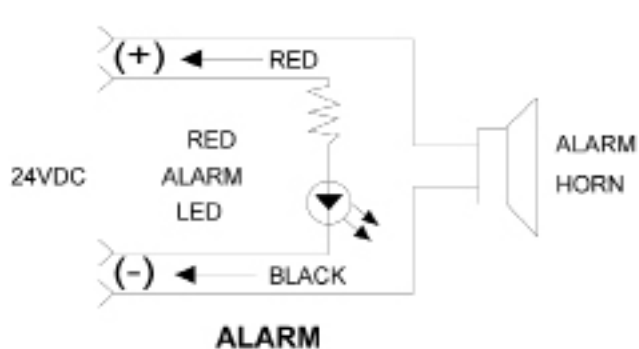
LE-DH-98-HVI, LE-DH-98-HVP

EAGLE SERIES - FIRE ALARM SYSTEMS

DUCT DETECTOR REMOTE ACCESSORIES

LE-DH-98

WIRING DIAGRAM



PRODUCT SPECIFICATION

MODEL #	PILOT LED (GREEN)	ALARM LED (RED)	PUSH BUTTON TEST/RESET	KEY OPERATED TEST/RESET	HORN	SINGLE GANG	DOUBLE GANG
MS-RA		●				●	
MS-RA/P	●	●				●	
MS-RA/R		●	●			●	
MS-RA/P/R	●	●	●			●	
MS-KA/R		●		●		●	
MS-KA/P/R	●	●		●		●	
MS-RH/KA/P/R	●	●		●	●		●