

TECHNICAL DATA SHEET

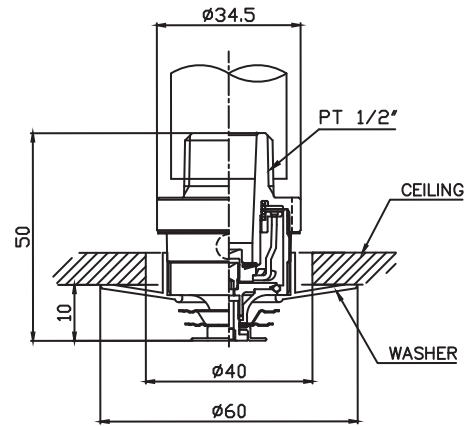
for use by Architects & Engineers

Flush Sprinklers

Model No: LLF720



Installation



Features

- Fusible Alloy Type
- Standard Spray Pattern
- K-factor 5.6
- Quick & Standard Response

Description

The 1/2 inch orifice LIFECO LF720 Standard Response (ref. ISO 6182) Flush Sprinklers are automatic sprinklers of the fusible solder type. They are "Standard response-Standard orifice spray Sprinklers" intended for use in fire Sprinkler systems designed in accordance with the Standard installation (NFPA 13). They produce a hemispherical water distribution pattern below the deflector. They share basically the same functional principle with other standard response glass bulb sprinkler. Nevertheless, it is designed a low profile, aesthetically pleasing, ceiling mounted sprinkler that offers a high degree of protection for human life.

The LIFECO model LF720 Flush sprinklers are available in a 72°C (162°F) and 105°C (221°F) temperature ratings and they are rated for use at a maximum service pressure of 12.3 kg/cm² (175psi). The nominal flow rates "Q" in LPM (GPM) are determined by the following formula: $Q = K \sqrt{P}$

Where the nominal sprinkler discharge coefficient "K" equals 80 (5.6); and, "P" equals the residual flowing pressure kgf/cm². Listing standards permit the actual value of "K" to vary from 76.4 to 83.6 (5.3 to 5.8); however, for hydraulic calculations, a K-factor of 80 (5.6) is to be applied.

The Body is forged brass (AS1568 Alloy 486) and the Frame is brass. The Valve Cap is made of AS1568 Alloy 486. The Inner Loading Plate is C3604 and the Outer Loading Plate is C3604. The Heat Collector #1 is C3604BE. The Heat Collectors #2, #3 are C1201P. The Locking Screw is C3604 and The Impress Screw is STS303. The Retaining Ring is TW and the Spring Seat consists of Beryllium Nickel. The Fuse Metal is low-melting-point alloy. The Deflector Ring is C3604 and the Deflector is C1100. The Plug is made of STS304. The Cap and Cork is PE or PP. The Washer is made of brass.

The LIFECO sprinklers are intended for fire protection systems designed in accordance with the standard installation rules of the applicable listings or approval agency. (eg., NFPA 13 or FM's Loss Prevention Data Sheets)

Note:

Do not install any bulb type sprinkler if the bulb is cracked or there is a loss of fluid from the bulb. And with the sprinkler held horizontally, a small air bubble should be present. The sprinkler joint should be obtained with maximum torque of 28.5 Nm (21 ft-lbs)