

# TECHNICAL DATA SHEET

for use by Architects & Engineers

## Clean Room Type Sprinkler

Model No: LF222



### Technical

Model No.	LF222		
Operating Temperature	57°C	68°C	93°C
Max. Ambient Temperature	38°C (100°F)	38°C (100°F)	66°C (150°F)
Temp. Indication Color	Orange	Red	Green
Connection Screw Size	15 A (PT 1/2", NPT 1/2")		
Orifice Size	Ø11.2 mm		
Test Pressure	Rated Water Press : 3.5MPa (500psi) Air Press: 0.7MPa (100psi)		
Max. Pressure	1.23MPa (175psi)		
Flow Rate	80ℓ/min-0.1MPa (K=80)		
Glass Bulb	F3(3mm)		
Weight (kg)	7/Box		
Packaging (Ea.)	100		

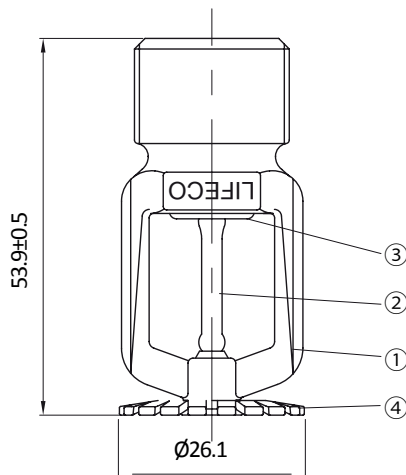
### Features

- Glass bulb
- Standard Spray Pattern
- K-factor 5.6
- Quick & Standard Response

### Description

LIFECO Clean Room Type Sprinkler is used with flexible sprinkler hose in clean rooms of semiconductor manufacturing facilities (TFT-LCD, PDP and etc.) and it has been designed to fit through existing mold bar hole in the clean room.

### Installation



NO	Part	Material
1	Frame	Forged Brass
2	Glass Bulb	-
3	Bulb Cap	Phosphor Brass
4	Deflector	Brass