

TECHNICAL DATA SHEET

for use by Architects & Engineers

Wet Alarm Valve

Model No: LF-WAV100A & LF-WAV150A



Features

- Cast iron body for extra hydrostatic strength
- Quick removal and easy service for rubber-faced clapper
- UL Listed
- FM Approved

Description

As an essential part of a wet sprinkler system, LIFECO Wet Alarm Valve is used as a device that detects water flow in the fire equipment installed in residential area, manufacturing area, and so on.

The valve is designed to initiate an alarm during a sustained flow of water (such as the flow required by an open sprinkler) by operating an optional water motor alarm and/or a pressure switch.

When a sustained flow of water occurs, such as an activated sprinkler, open sprinkler or an open authorized person's test connection, the clapper lifts from its closed position, this allows water flow into the intermediate chamber through the holes in the seat ring and it will fill the retarding chamber completely. The water flows from intermediate chamber to the alarm line and activates the water motor alarm and/or the pressure switch for the electric alarm. These alarm continue to sound until the flow of water stops.

Technical & Environmental Specification

Direction	Vertical	
Max working pressure	12.3Kgf/cm ²	
Test pressure	21Kgf/cm ²	
Flange size	KS B1513 10K FF Flange (or ANSI 150lb)	
Color	Red	
Model no.	LF-DAV100A	LF-DAV150A
Size	100A	150A
Max flowrate (4.5m/sec)	2100 LPM	4800 LPM
Weight	61Kg	81Kg
Packing	TEA	

Material

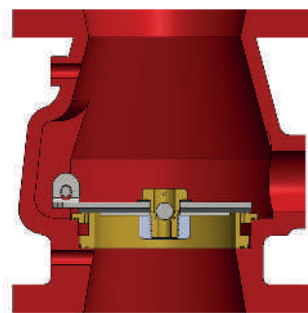
1	Body	Cast iron (GC200)
2	Cover	Cast iron (GC200)
3	Seat ring	Bronze(BC6)
4	Clapper	Cast iron (GC200)
5	Clapper seat	Rubber(Viton)
6	Clapper pin	STS 304
7	Latch	Cast Iron(GC200)
8	Latch pin	Brass(C3604)
9	Cover bolt	Steel
10	Setting bolt	Steel
11	Knob handle	Brass(C3604)
12	Chamber	Cast Iron(GC200)
13	Chamber cover	Cast Iron(GC200)
14	Chamber Cover Bushing	Bronze (BC6)
15	Chamber Cover Piston	Brass(C3604)
16	Chamber Cover 1	Cast Iron(GC200)
17	Push Rod	Brass(C3604)
18	Push Rod Guide	Bronze(BC6)
19	Push Rod Disc	Brass(C3604)
20	Diaphragm	Rubber(EPDM)

Setting Pressure Table

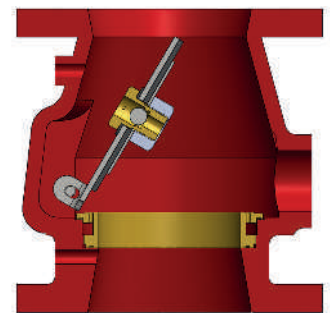
	Min. Air pressure	Max Air pressure
Water supply pressure		
1.5	1.5	2.0
3	1.5	2.0
5	1.5	2.0
7	1.5	2.0
8.5	1.5	2.0
10	1.7	2.2
10 over	2.2	2.7

Unit: kgf /cm²

Operational Mechanism of Alarm Valve



In service



In activate

Variable Pressure Trim

Retard is required.

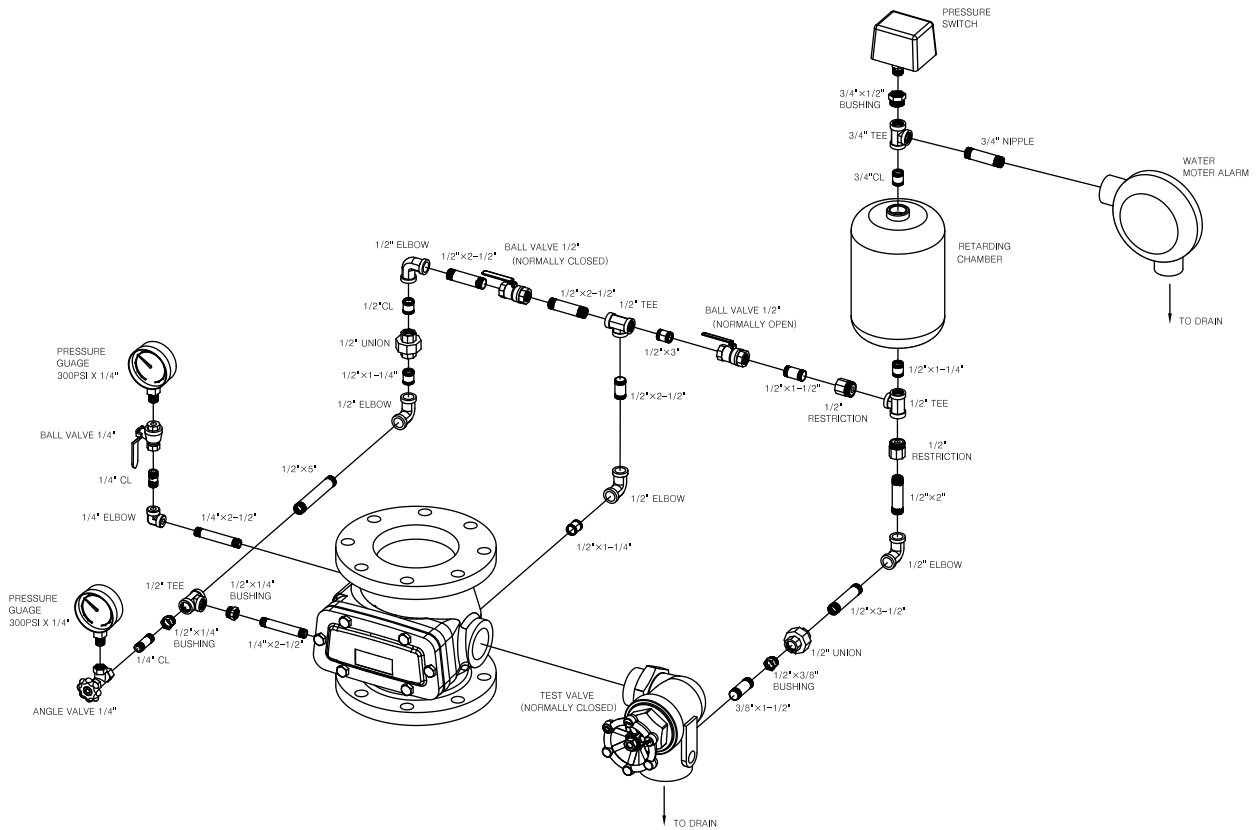
This trim set is used where water supply pressure vary. The retard chamber and mechanical sprinkler alarm line are drained through a opened test valve line.

TECHNICAL DATA SHEET

for use by Architects & Engineers

Wet Alarm Valve

Model No: LF-WAV100A & LF-WAV150A



	A	B	C	D	E	F	G	H	I	J	K	L
LF-WAV100A	100	175	210	24	250	169	415	8-19D	376	50A	50	153
LF-WAV150A	150	240	280	26	280	199	480	8-23D	391	50A	50	153